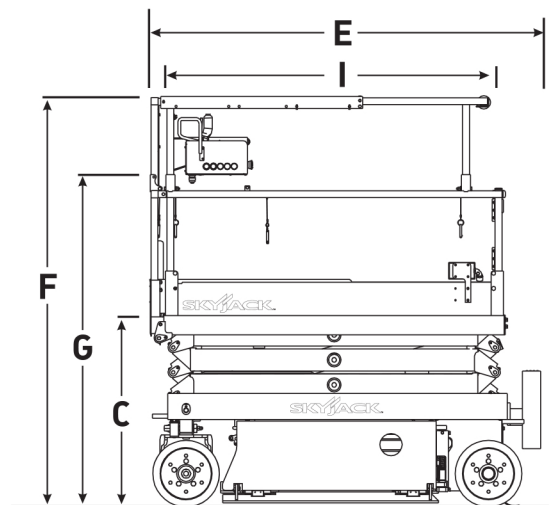
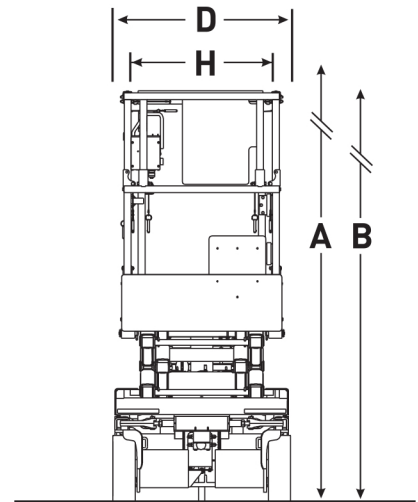


# SJIII 3219 ELECTRIC SCISSOR LIFTS

Dimensions	SJIII 3219
<b>A</b> Work Height	25' (7.62 m)
<b>B</b> Raised Platform Height	19' (5.79 m)
<b>C</b> Lowered Platform Height	39" (0.99 m)
<b>D</b> Overall Width	32" (0.81 m)
<b>E</b> Overall Length	70" (1.78 m)
<b>F</b> Stowed Height (Rails Up)	78.5" (1.99 m)
<b>G</b> Stowed Height (Rails Down)	OPT 64.5" (1.64 m)
<b>H</b> Platform Width (Inside Dimension)	26" (0.66 m)
<b>I</b> Platform Length (Inside Dimension)	64" (1.63 m)
Specifications	SJIII 3219
Extension Deck (Roll Out)	3' (0.91 m)
Ground Clearance (Stowed)	2.375" (6.03 cm)
Ground Clearance (Raised)	0.7" (1.78 cm)
Wheelbase	55" (1.40 m)
Weight	2,580 lbs (1,170 kg)
Gradeability	30%
Turning Radius (Inside)	0
Turning Radius (Outside)	66" (1.68 m)
Lift Time (With Rated Load)	25 sec
Lower time (With Rated Load)	29 sec
Drive Speed (Stowed)	2 mph (3.2 km/h)
Drive Speed (Raised)	0.7 mph (1.1 km/h)
Maximum Drive Height	Full Height
Capacity (Overall)	550 lbs (249 kg)
Distributed Capacity (Main Platform)	300 lbs (136 kg)
Distributed Capacity (Extension Deck)	250 lbs (113 kg)
Local Floor Load (With Rated Load)	110 psi (759 kPa)
Overall Floor Load (With Rated Load)	201 psf (10 kPa)
Maximum # of Persons	2
Wind Rating	28 mph (12.5 m/s)
Tire Type	Solid, N/M
Tire Size	12 x 4 x 8



## Skyjack Head Office

55 Campbell Rd. Guelph, ON Canada N1H 1B9  
 Sales Inquiries: 1-877-755-4387 (1-877-SJLIFTS)  
 Main Switchboard: 1-800-265-2738  
 Phone: 519-837-0888  
 Fax: 519-837-8104  
 Email: skyjack@skyjack.com  
 www.skyjack.com

This brochure is for illustrative purpose only and based on the latest information at the time of printing. Skyjack Inc. reserves the right to make changes at any time, without notice, to specifications, standard and optional equipment. Consult the Operating Maintenance and Parts Manuals for proper procedures. Work platforms have been tested to comply with ANSI and CSA standards as interpreted by Skyjack Inc.

